

透气阀

Breathable Valve

M

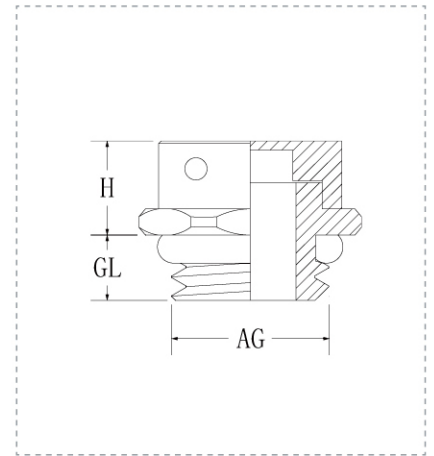
CE ROHS IP68 REACH

材质: 不锈钢 / 铜镍镍 / 铝材 / 尼龙 PA6
 防护等级: 在规定电缆外径内并使用合适 O 形密封圈防护等级可以达到 IP68, 防水深度达到 3M-5M
 颜色: 灰色、白色、黑色等颜色定制
 温度: -40°C 到 120°C 短时间达 150°C
 气流: 325 毫升 / 分钟 (0.07)
 入水压力: >5 巴

Material: Stainless steel/Nickel-plated brass/ Aluminum/Nylon PA6
 Protection degree: In the specified cable outer diameter and the appropriate o-ring protection level can reach IP68, the waterproof depth reaches 3M - 5M Gray, white, black and customized color
 Color: Color: Temperature resistance: -40°C -100°C, short time to 120°C
 rate of air flow: 325ml/min (0.07)
 Water inlet pressure: > 5bar

功能:
 1: 防水防尘
 2: 通风口。铜厂和长期保护内部设备运行在恶劣的环境
 3: 散热, 更换或辅助散热片, 以降低车内温度。
 4: 延长产品使用寿命

Function:
 1: Waterproof, dustproof
 2: Vent, copper factory and protect equipment operating under terrible environment.
 3: Cooling, replace or assist heat sink, to reduce temperature of car.
 4: Extend the service life of products.



规格参数 单位: mm

规格 Item	空气渗透率 Air permeability	螺纹直径 Thread diameter	螺纹长度 Thread Length	总长度 Total length	扳手径 Spanner size	产品编号 Code
M5x0.8	94ML/Min	5	6	9.5	10	HX-BF-M5
M6x1	94ML/Min	6	6	15	10	HX-BF-M6
M8x1	147ML/Min	8	7	16	12	HX-BF-M8
M12x1.5	288ML/Min	12	7	19	14	HX-BF-M12
M16x1.5	1375ML/Min	16	7	21	18	HX-BF-M16
M20x1.5	2150ML/Min	20	7	21	22	HX-BF-M20
M5x0.8	60ML/Min	5	6	11.6	11	HX-PF-M5
M6x1	60ML/Min	6	6	11.6	11	HX-PF-M6
M10x1	1820ML/Min	10	9	17	17	HX-PF-M10
m12x1.5	260ML/Min	12	9	17	17	HX-PF-M12
M16x1.5	748ML/Min	16	9	22	22	HX-PF-M16

BF 系列为金属透气阀, PF 系列为尼龙透气阀。
 BF series is Metal Breather valve, PF series is Nylon Breather valve

