

# 金属屏蔽型电缆接头

Metal Cable Gland-EMC-W Type

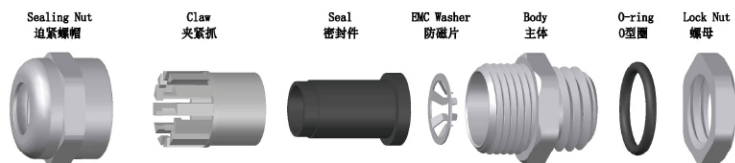
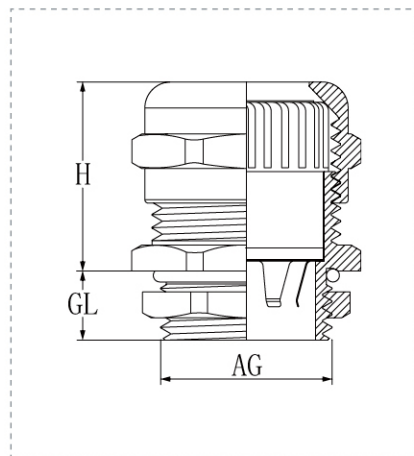


M / PG / G / NPT

CE ROHS IP68 REACH

材质: 镀镍黄铜  
 夹紧件: 采用尼龙塑料 PA66, UL94-V2  
 密封件: 丁腈橡胶、硅橡胶  
 防水圈: 丁腈橡胶、硅橡胶  
 防水等级: IP68-10 巴压力  
 工作温度: 静态: -40℃到 100℃, 短时间达 120℃  
 动态: -20℃到 80℃, 短时间达 100℃

Material: Nickel-plated brass  
 Claw: PA (Nylon), UL94-V2  
 Hermetic seal: NBR, Silicone rubber  
 O-Ring: NBR, Silicone rubber  
 Protection degree: IP68-10 bar  
 Temperature: Static state: -40 °C to 100 °C, Short time to 120 °C; Dynamic state: -20 °C to 80 °C, Short time to 100 °C



规格参数 单位: mm

规格 Item				适用范围 $\Phi$ Range	螺纹长度 GL Thread Length	接合长度 H Joint Length	扳手径 $\varnothing$ Spanner size	产品编号 Code
公制螺纹 M	德制螺纹 PG	管制螺纹 G	美制螺纹 NPT					
M12×1.5	PG7	G1/4	NPT1/4	3-6.5	6.5	19	14	HX-EMC- "Item"-W
				4-8	8	19	17/14	
M16×1.5	PG9	G3/8	NPT3/8	3-6	8	20	18	
				4-8	8	20	18	
				5-10	8	21	20/18	
M18×1.5	PG11	G3/8	NPT3/8	5-10	8	21	20	
M20×1.5	PG13.5	G1/2	NPT1/2	6-12	8	22	22	
				10-14	8	23	24/22	
M22×1.5	PG16	G1/2	NPT1/2	10-14	8	23	24	
				10-14	9	25	24/27	
M25×1.5	PG21	G3/4	NPT3/4	12-16	9	27	27	
				13-18	9	27	30/27	
				15-22	10	29	35	
M32×1.5	PG29	G1	NPT1	18-25	10	31	40/35	
				18-25	11	31	40/45	
M40×1.5	PG36	G1-1/4	NPT1-1/4	25-33	11	37	50/45	
				22-30	11	35	45	
M50×1.5	PG42	G1-1/2	NPT1-1/2	32-38	13	37	57/55	
				37-44	14	38	64/68	
M63×1.5	PG48	G2	NPT2	42-52	14	38	78/68	
				42-52	16	42	78	
M72×2				42-52	16	42	78	
M80×2				55-62	18	45	88	



金属电缆接头系列 Metal Cable Gland Series